

2 MP HDCVI Vari-focal Bullet Camera

2 MP HDCVI IR Bullet Camera

HDCVI



- 2 MP at 30 fps Maximum Resolution
- HD and SD Switchable Output
- Supports Multiple Video Formats: HDCVI, CVBS, AHD and TVI
- 2.7 mm to 13.5 mm Vari-focal Lens
- Maximum IR Length 60 m (197 ft) with Smart IR
- IP67 Environmental Protection
- Designed for Extreme Temperature Environments
- Five-year Warranty*



System Overview

Experience the superior clarity of Full HD 1080p video while leveraging your existing coaxial infrastructure. The camera features Smart IR technology to deliver clear images in near total darkness. The camera offers a multi-language on-screen display and HD and SD dual-output. The outstanding performance and low price make the camera an ideal choice for small businesses that value surveillance.

Functions

Three Signals over a Single Coaxial Cable

HDCVI technology simultaneously transmits video, power, and data over a single coaxial cable. Dual-way data transmission allows the HDCVI camera to communicate with an HCVR to send control signals or to trigger alarms. HDCVI along with PoC technology delivers power¹ to devices at the edge, simplifying installation.

Long Distance Transmission

HDCVI technology guarantees real-time transmission over long distances without loss of video quality. HDCVI cameras provide the same resolution as most IP network camera systems using existing RG-59, RG-6, or CAT 6 UTP cabling.

Simplicity

HDCVI technology seamlessly integrates traditional analog surveillance systems with upgraded, high-quality HD video, making it the best choice to protect security investments. The plug and play approach enables full HD video surveillance without the hassles of configuring a network.

Smart IR

With IR illumination, detailed images can be captured in low light or total darkness. The camera's Smart IR technology adjusts the intensity of camera's infrared LEDs to compensate the distance of an object. Smart IR technology prevents IR LEDs from whitening out images as they come closer to the camera. The camera's integrated infrared illumination provides high performance in extreme low-light environments up to 60 m (197 ft).

Multi-format Support

The camera supports multiple video formats including, HDCVI, CVBS, AHD, and TVI. The camera can switch between these four formats via the OSD menu or via a UTC controller (PFM820), making the camera compatible with not only HDCVI DVRs but also most existing HD/SD DVRs.

Multi-language OSD

The OSD menu provides multiple image adjustments and function settings to meet the requirements of different monitoring scenes. The OSD menu includes configurations such as backlight mode, day/night, white balance, privacy mask and motion detection and offers Chinese, English, French, German, Spanish, Italian, Japanese, Korean, Russian, Polish, and Portuguese variations.

Protection

The camera's outstanding reliability is unsurpassed due to its rugged design. The camera is protected against water and dust with IP67, making it suitable for indoor or outdoor environments.

With a built-in heater and a working temperature range of -40°C to $+60^{\circ}\text{C}$ (-40°F to $+140^{\circ}\text{F}$), the camera is designed for extreme temperature environments. Supporting $\pm 25\%$ input voltage tolerance, this camera suits even the most unstable power supply conditions. Its 4KV lightning rating provides protection against the camera and its structure from the effects of lightning.

1. Requires PoC Transceivers for each channel and an external power supply for each transceiver.

Technical Specification

Camera

| | |
|--------------------------|---|
| Image Sensor | 1/2.9-in. CMOS |
| Effective Pixels | 1920(H) x 1280(V), 2 MP |
| Scanning System | Progressive |
| Electronic Shutter Speed | 1/30 s to 1/100000 s |
| Minimum Illumination | Color: 0.02 Lux at F1.3 0 Lux (with IR on) |
| S/N Ratio | More than 65 dB |
| IR Distance | Up to 60 m (196.85 ft) |
| IR On/Off Control | Auto, Manual |
| IR LEDs | Four (4) |

Lens

| | |
|--------------------------|------------------------------|
| Lens Type | Vari-focal Lens / Fixed Iris |
| Mount Type | Board-in |
| Focal Length | 2.7 mm to 13.5 mm |
| Max Aperture | F1.3 |
| Horizontal Angle of View | 104° to 27° |
| Focus Control | Manual |
| Close Focus Distance | 200 mm (7.87 in.) |

Pan / Tilt / Rotation

| | |
|-------|--|
| Range | Pan: 0° to 360° Tilt: 0° to 87° Rotation: 0° to 360° |
|-------|--|

Video

| | |
|---------------------------------|--|
| Resolution | 2 MP (1920 x 1080) |
| Frame Rate | 2 MP at 30 fps 720p at 30/60 fps |
| Video Output | One (1) BNC HDCVI High-definition Channel, or One (1) BNC CVBS, AHD, or TVI Channel, switchable |
| Video Transmission ² | RG-59/U Coax 720p: 800 m (2624.67 ft) 1080p: 500 m (1640.42 ft) |
| | RG-6/U Coax 720p: 1200 m (3937.01 ft) 1080p: 800 m (2624.67 ft) |
| | CAT 6 UTP (balun required) 720p: 450 m (1476.38 ft) 1080p: 300 m (984.25 ft) |
| Day/Night | Auto (ICR), Manual |
| OSD Menu | Multi-language |
| BLC Mode | BLC, HLC, DWDR |
| WDR | Digital WDR |
| Gain Control | AGC |
| Noise Reduction | 2D |
| White Balance | Auto, Manual |
| Smart IR | Auto, Manual |

Certifications

| | |
|-------------------------------------|---|
| Safety | EN55032, EN55024, EN50130-4 UL60950-1+CAN/CSA C22.2 No.60950-1 |
| Electromagnetic Compatibility (EMC) | FCC CFR 47 FCC Part 15 Subpart B ANSI C63.4-2014 |

Electrical

| | |
|-------------------|-----------------------------------|
| Power Supply | 12 VDC ±25% |
| Power Consumption | Maximum 7.7 W (12 VDC with IR on) |

Environmental

| | |
|----------------------|---|
| Operating Conditions | -40° C to +60° C (-40° F to +140° F), Less than 95% RH Initiate startup above -40° C (-40° F) |
| Storage Conditions | -40° C to +60° C (-40° F to +140° F), Less than 95% RH |
| Ingress Protection | IP67 |

Construction

| | |
|--------------|--|
| Casing | Aluminium |
| Dimensions | 213.0 mm x 90.40 mm x 90.40 mm (8.39 in. x 3.56 in. x 3.56 in.) |
| Net Weight | 0.55 kg (1.21 lb) |
| Gross Weight | 0.68 kg (1.50 lb) |

2. Transmission distance results verified by real-scene testing in Dahua's test laboratory. Actual transmission distances may vary due to external influences, cable quality, and wiring structures.

| Ordering Information | | |
|-----------------------|-----------------------|---|
| Type | Part Number | Description |
| 2 MP Camera | A21BCOV | 2 MP HDCVI IR Bullet Camera |
| Accessories, optional | ADS-12AM-12 12012EPCU | 12 VDC, 1 A Power Supply |
| | PFA135 | Junction Box (Use alone or with PFA150 pole mount) |
| | PFA150 | Pole Mount (Use with PFA135 junction box) |
| | PFM800 | Passive HDCVI Balun |
| | PFM801 | Passive HDCVI Balun with Power |
| | PFM810 | PoC Transceiver |
| | PFM820 | UTC Controller |

Accessories

Optional:



PFA135
Junction Box



PFA150
Pole Mount



PFM820
UTC Controller



PFM800
Passive HDCVI Balun



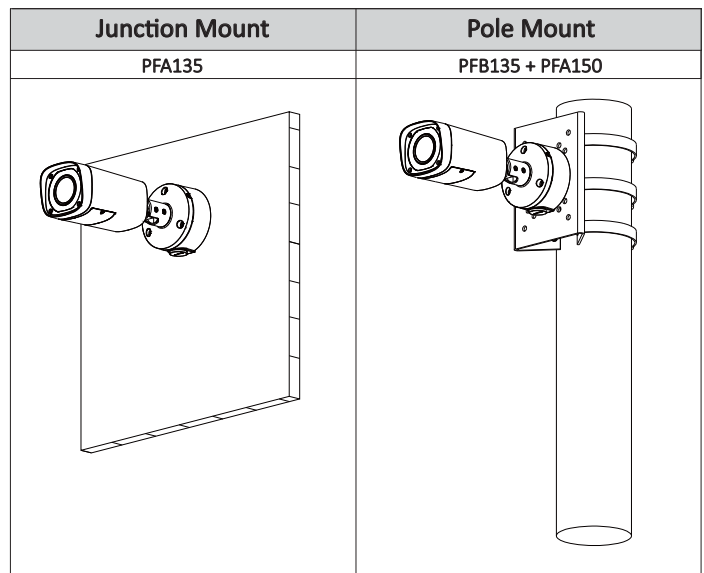
PFM801
Passive HDCVI Balun
with Power



PFM810
PoC Transceiver



ADS-12AM-12 12012EPCU
Power Supply



Dimensions (mm/inch)

